

Multi-Function Sync Station

Model number: YSS-MFS-01

Features

- Mobile, desk or wall-mount
- OLED display and keyboard backlight
- Battery backup and autonomous operation
- Emergency key-powered mode
- GSM module plug-in

General Description

Use to sync keys with YeboManager management system via USB or GSM with GSM module. Supports failover between modes for network redundancy and battery back-up for autonomous GSM sync. Key activation by user PIN in emergency key-powered mode in the event of total network and power failure. In powered mode supports large, bright display and keyboard backlight. Battery boost supports a larger display and keyboard backlight in PIN mode. GSM service provided by optional GSM module plug-in. Antenna may be internal or external patch antenna via screw connector.

Warranty: **1 year**



Specifications

Features		
Plugs	1	
Keypad	Rubber 12-key	Sealed, backlit
Display	OLED 64x128	White
SIM	External slot	Standard SIM 15 x 25mm
Mechanical		
Hand-held unit	184 x 84 x29	mm, H x W x D
Wall mount area	253.9 x 92.8	mm, H x W
Mount hole spacing	60 x 68.4	mm, H
Mount hole size	4.4	mm
Electrical		
Power supply voltage	5v	>1.5A if GSM and no battery
Power connector	micro-B USB	
Battery (optional)	36 gram Lithium	3V6 1.8Ah
Battery charge rates	90/400/900 mA	USB2 low/high, USB3 conformant
Battery charge times	15/3/1.4	hours, supply-dependent
Battery life ¹	>2 days	On GSM
	>4 days	PIN station boost
Connectivity		
USB	USB2	Use YSSController > 2.4
GSM	EDGE 237	kbps
	850/900/1800/1900	MHz
Security	TLS v1.2	
Management	secure.yebotech.com	

¹ Usage and temperature dependent, indicative values assuming low voltage

Addons

Modular add-on features	Model	Notes
PIN + USB + keypad	01	Standard
GSM module	01	Requires internal or external antenna
Battery	01	
Ethernet + CAN	02 ²	
WiFi	02	
NFC	02	

Accessories	Model	Notes
Rubber sleeve for hand-held mode	All	Covers USB socket and SIM slot
Wall mount + fittings	All	
Desk mount + fittings	All	Requires wall mount
GSM internal antenna	All	
GSM screw connector pigtail	All	Requires housing with antenna hole
GSM patch antenna	All	Requires screw connector pigtail
5V/2A power supply	All	

² Pending, check availability



Figure 1: Available configurations

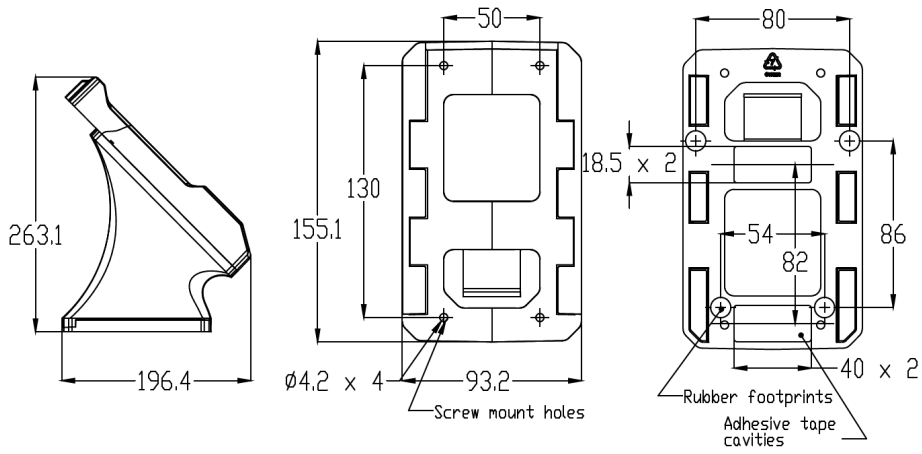


Figure 2: Desk mount dimensions

