

Model # LKS003TS

- Features**
- 1cm travel
 - 162 authorizations
 - Proxy authorizations
 - Multi-key A&B
 - Checkpoint

General Description

20mm cabinet plunger lock, silver finish, with 1cm travel suitable for retaining sliding cabinet doors.



Warranty 1 year

Security

Base authorizations	162	
Key strength	64	bits
Supported protocols	SG1	
Feature class	B	(commercial)

Mechanical

Maximum dimensions	50 x 53 x 21	mm
Barrel projection from base	37.3	mm
Barrel diameter	19.9	mm
Plunger diameter	8.6	mm
Plunger travel	9.3	mm
Retaining hole separation	32	mm

Operating life

Actuation probability	>99.0	%
Key insertions	100,000	

Multi-key limitations

Min period	8	seconds
Max period	3	days
Max keys in operation	3	
Max 'B' groups	1	

Recommended installation

Receiving hole size	19	mm
Retaining screws x 2	M4	
Retaining screw head	conical	

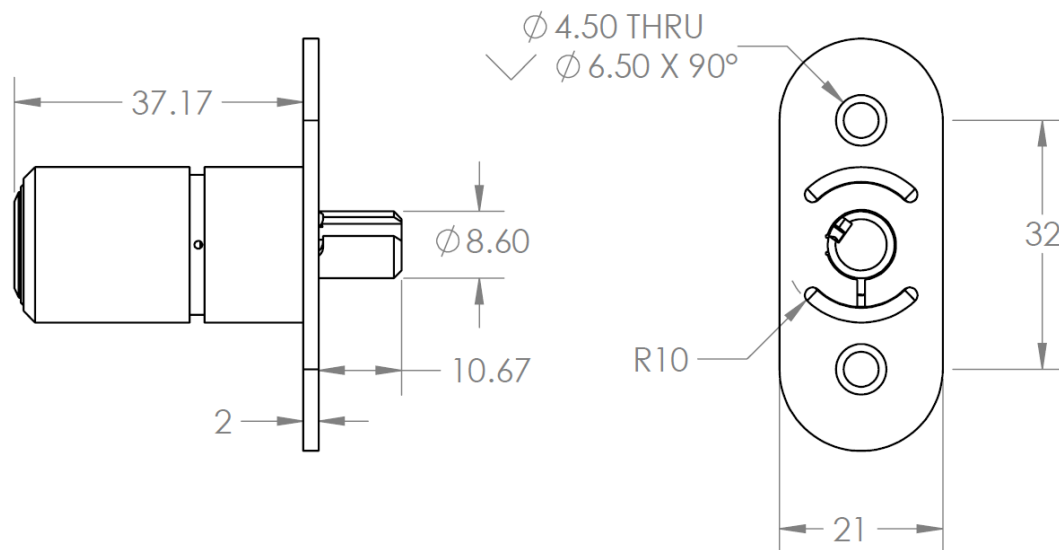


Figure 1: Lockset dimensions

Recommended Installation

1. The cabinet material into which the lockset is to be secured should be at least 1cm thick.
2. Prepare receiving hole of 20mm diameter.
3. Place the lockset and mark the location of the retaining holes.
4. Pre-drill 2.5mm starter holes to receive the retaining screws.
5. Select suitable M4 conical head screws suitable for retaining the lockset in the cabinet material. The screws should be as long as possible while ensuring they will not penetrate or mark the cabinet face when fully inserted.
6. Secure the lockset using the retaining screws.