

Model # **YT15-PDL-01**

- Features**
- 162 authorizations
 - Proxy authorizations
 - Multi-key A&B
 - Checkpoint



General Description

Cost-effective zinc die-cast open shackle padlock with fibre-fill nylon sleeve incorporating YeboTech plug for indoor use with key retention

*Tethers available upon request

Warranty 1 year

Security

Base authorizations	162	
Key strength	64	bits
Supported protocols	SG1	
Feature class	B	(commercial)

Mechanical

Body size	50 x 56 x 26	mm, H x W x T
Shackle dimensions	8 x 27 x 31	mm, dia x inside dia x height
Housing	Zinc alloy die-cast with fibre fill nylon sleeve	

Operating life

Actuation probability	>99.0	%
Key insertions	100,000	

Multi-key limitations

Min period	8	seconds
Max period	3	days
Max keys in operation	3	
Max 'B' groups	1	

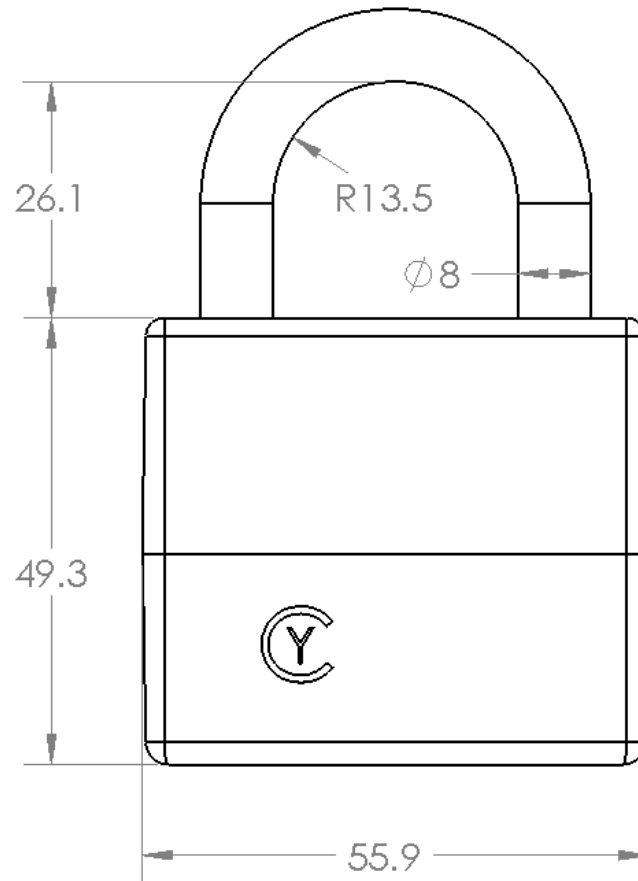


Figure 1: Padlock dimensions (mm)

Product Description

The Internal Padlock features the YeboTech electronic plug at a cost comparable to conventional mechanical padlocks. Access authorizations may be managed using a regular YeboTech electronic key. When used in conjunction with the YeboTech lock and key management system the following features are available:

1. Multi-keying: require more than one authorized key be inserted into the padlock within a specified time window before the padlock opens. Supports 'A' and 'B' group requirements (one or more keys from each user class required).
2. Time windowing: restrict access to specified time periods.
3. Checkpoint: double-purpose lock as a checkpoint incorporated into guard rounds.
4. Audit trails and exceptions: produce audit trails and raise exceptions of events requiring intervention.