

**Model #**      **YL15-CAM-01**

- Features**
- 162 authorizations
  - Proxy authorizations
  - Multi-key A&B
  - Checkpoint



**General Description**

Cabinet lock with locking tailpiece with 90° rotation suitable for managing access to cabinets and draws.

**Warranty**      1 year

**Security**

Base authorizations	162	
Key strength	64	bits
Supported protocols	SG1	
Feature class	B	(commercial)

**Mechanical**

Nominal dimensions	40 x 22	mm
Barrel diameter	18.6	mm
Barrel flat width	16.0	mm
Tailpiece retaining thread and pitch	M5 X 0.8	mm
Barrel thread	¾-27 UNS	inch / tpi
Tailpiece rate torque	2.0	Nm

**Operating life**

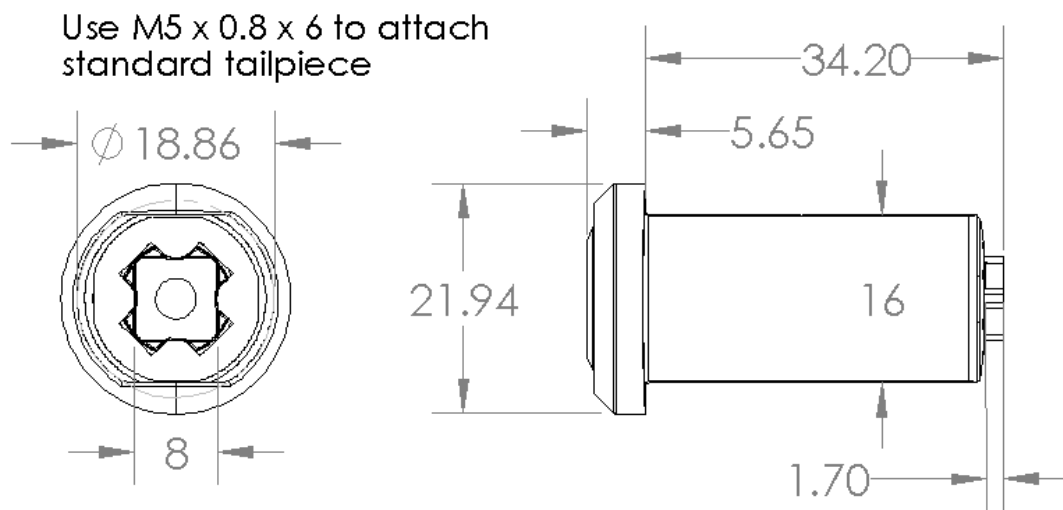
Actuation probability	>99.0	%
Key insertions	100,000	

**Multi-key limitations**

Min period	8	seconds
Max period	3	days
Max keys in operation	3	
Max 'B' groups	1	

**Recommended installation**

Receiving hole size	19	mm
Tailpiece thickness	3	mm
Retaining screws	M5 x 0.8 x 6	mm
Retaining flat washer	M5 x 1.0 x 15	mm
Retaining locking/spring washer	M5 x 1.5 x 8.5	mm



**Figure 1: Lockset dimensions**

**Recommended Installation**

1. Prepare receiving hole of 19mm diameter. Machined flats should be 16.2mm or more in width.
2. Verify lock is locked in the anti-clockwise direction (facing the face of the lock). This ensures that when tightening the attachment screw the tailpiece locking mechanism is not stressed.
3. Place the tailpiece on the square hub at the back of the lockset, ensuring that the angle and range of motion is appropriate for the intended cabinet.
4. Place the retaining 15mm flat washer, 9mm locking washer, and insert and tighten the 6mm screw.
 

Note: adjust the screw length to suit the chosen washer and tailpiece thicknesses. When fully tightened, the length of thread penetrating into the hub must not exceed 4mm.
5. Use recommended thread locking product to ensure the screw will not work loose in use.

**Figure 2: Installed assembly**

