

Model # **YL15-DSC-01**

- Features**
- 162 authorizations
 - Proxy authorizations
 - Multi-key A&B
 - Checkpoint



General Description

65mm euro profile double cylinder
Body Material: Brass
Finish: SNP(Satin Nickel Plated)
Minimum Door Thickness: 38mm
Maximum Door Thickness: 60mm

Warranty 1 year

Security

Base authorizations	162	
Key strength	64	bits
Supported protocols	SG1	
Feature class	B	(commercial)

Mechanical

Cylinder Length	65mm	mm
Cylinder Height	32.9	mm
Retaining screws separation	32.5	mm
Cylinder Profile	Euro-profile	
Cylinder Form	Double	Key and key

Operating life

Actuation probability	>99.0	%
Key insertions	100,000	

Multi-key limitations

Min period	8	seconds
Max period	3	days
Max keys in operation	3	
Max 'B' groups	1	

Recommended installation

Receiving hole size	As per profile	
Retaining screw	M5 x 70	mm
Retaining screw head	CSK	

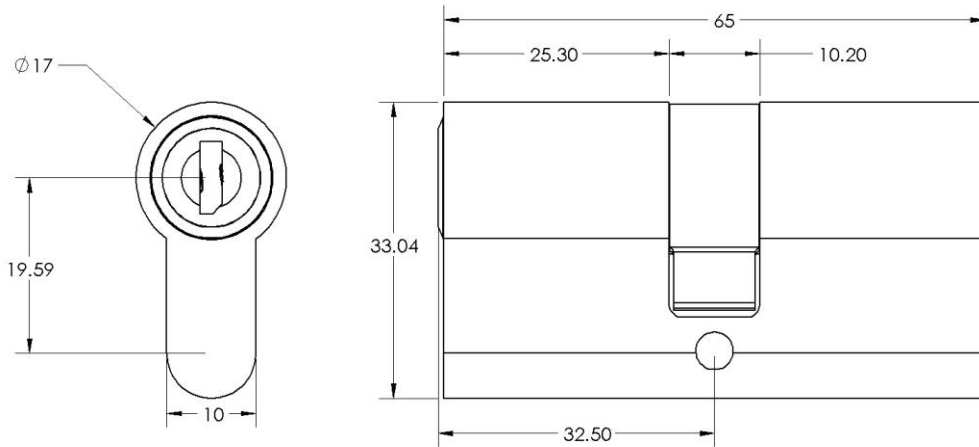


Figure 1: Lockset dimensions

Recommended Installation (Replacement)

1. Remove original cylinder from lockset
2. Place replacement rim cylinder into original bore
3. Align the cylinder with handles/escutcheons
4. Once aligned and in place, secure the lockset using the retaining set screw