

Model # **YK15-KEYB-02**

- Features**
- Low battery indicator
 - Online access management
 - Contactless communication
 - Duplication only available through authorized channels

General Description

Key supports online management operations such as issue, revoke, view usage history, grant access, customized configurations of LED's and beeps or completely disable. Ultimate security and key suiting convenience.
Nickel plated zinc-alloy key blade/chassis



Product Package

- 1 each YeboTech key
- 1 each CR2032 coin cell battery
- 1 each lanyard
- 1 each key usage swing tag

Warranty 1 year

Ratings

| | | |
|----------------------|--------------------|----------|
| Ingress protection | To be certified | |
| EMC/EMI | IEC6100(2,3,4,8,9) | ESD 15kV |
| Corrosion resistance | To be certified | |
| Cold | IEC60068-2-1 | -10°C |
| Dry heat | IEC60068-2-2 | +55°C |

Electrical

| | | |
|------------------------|-----------------------|-------------------|
| Battery type | 1 x CR2032 | Coin cell lithium |
| Battery voltage | 2.7-3.5 | V |
| Low voltage indication | >2.7 or >16mA @ 2.25V | V |

Power consumption

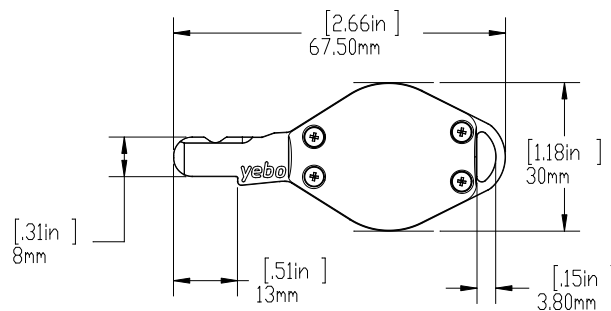
| | | |
|-----------|-----------------------|----|
| Standby | 9.9 | µA |
| Actuation | 13 peak / 9.5 holding | mA |

Battery Operating life

| | | |
|------------|------------|-----------------------------------|
| Standby | >2.2 | years(all features enabled) |
| Actuations | >15k / 60k | 4 sec actuation / 1 sec actuation |

Mechanical

| | | |
|--|-----------|--------------------------------------|
| Maximum torque | 2.5 | Nm |
| Cover torque screws | 2mm x T6 | thread, head |
| Capacity | | |
| Flash memory | 64 | kbyte |
| Authorizations (Remote-'online' set-up, Local-'offline/standalone' set-up) | | |
| • Remote | 480 / 320 | simple / proxy |
| • Local | 32 | |
| Audit trail | 2,400 | events (compressed; usage dependant) |



Key Usage:



No response "beep beep beep": Error occurred, try twice more, if repeats report fault



Short "beep": key is authorized, turn



All red for one second "beep": Key is not authorized, check permissions



Third light flashes every 10 seconds on standby: Battery is going flat, replace battery



Middle light one second "beep beep" when inserted OR flashes every 10 seconds on standby: Key is out of time window, sync the key