

Model # YT15-PDL-02

- Features**
- 6mm removable shackle
 - Shackle wipes for mud resistance
 - No brass or materials of value
 - Proxy, Multi-key A&B, Checkpoint
 - Customizable brand or label band

General Description

Cost-effective zinc die-cast open shackle padlock with fiber-filled nylon sleeve incorporating YeboTech plug for outdoor use with key retention. Ball bearings on cam locking mechanism. Shackle wipes, plastic bearings and drainage channels for smooth operation even in wet and muddy conditions.



*Tethers available upon request

Warranty 1 year

Ratings

EMC/EMI IEC61000(2,3,4,8,9) ESD 15kV

Security

Base authorizations 162
Key strength 64 bits
Supported protocols SG1

Mechanical

Body size 48 x 50 x 29 mm, H x W x T
Shackle dimensions 6 x 22 x 29 mm, dia x inside dia x height
Housing Riveted zinc alloy die-cast with fiber-filled nylon sleeve
Brand/identification band 110 x 12 x 2 mm, silicone rubber

Operating life

Actuation probability >99.0 %
Key insertions 100,000

Multi-key limitations

Min period 8 seconds
Max period 3 days
Max keys in operation 3
Max 'B' groups 1

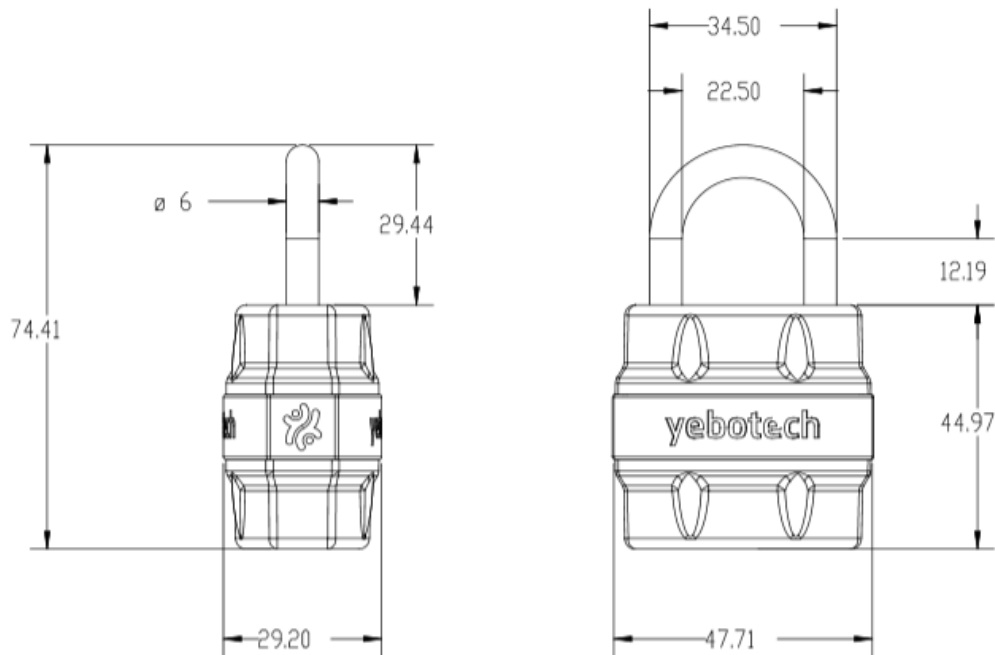


Figure 1: Padlock dimensions (mm)

Product Description

The padlock is constructed of two zinc halves secured by steel rivets and enclosed in a tough fiber-filled nylon sheath. The 6mm shackle is composed of carburized steel resistant to hacksaw blades and retained by two stainless steel ball-bearings which cannot be shimmed. Wiper washers clean the shackle as it is inserted and molded drainage channels direct water and grit away from the working mechanisms. The use of plastic bearings ensures smooth operation even in gritty conditions and eliminates the need for grit-retaining lubricants. The padlock is fitted with a standard Yebo electronic plug. The exposed key chamber is sealed and may be squirted out with water if invaded by mud or insects. The plug features a contactless connection and there are no pins, springs or electrical connections that may corrode or break. A key retaining mechanism prevents removal of the key until the shackle is re-secured.

Intended use

Padlock is an ideal "electronic seal" for controlling and auditing access to enclosures such as utility cabinets, fenced areas, sheds, lockers, storage boxes, stock cages etc.

Terms

Multi-keying: Require more than one authorized key be inserted into the padlock within a specified time window before the padlock will open. Supports 'A' and 'B' group requirements (one or more keys from each group is required to open).

Time windowing: Restrict access to specified time periods.

Checkpoint: Double-purpose lock as a checkpoint incorporated