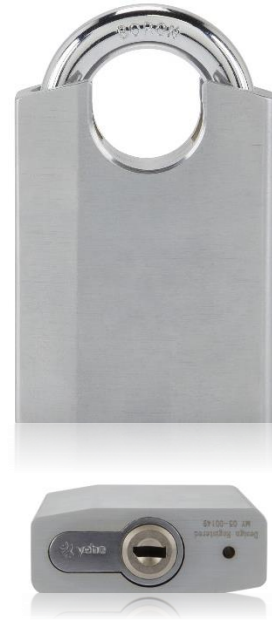


**Model #** YL15-PDL-06

- Features**
- 8mm hardened shackle
  - Heavy duty body
  - Close/semi-shrouded shackle
  - Removable cylinder (when un-locked)

**General Description**

47mm body  
Steel shackle, Brass body  
Chrome & satin Chrome plated  
Suitable for all internal and external applications



**Warranty** 1 year

**Ratings**

Ingress protection(plug)	IEC60529	IP55
EMC/EMI	IEC61000(2,3,4,8,9)	ESD 15kV

**Security**

Base authorizations	162	
Key strength	64	bits
Supported protocols	SG1	
Feature class	B	(commercial)

**Mechanical**

Body dimensions	66 x 47 x 20	mm, H x W x T
Shackle dimensions	8 x 20 x 24	Mm, dia x I.D. x H
Accepts euro profile cylinder		

**Operating life**

Actuation probability	>99.0	%
Key insertions	100,000	

**Multi-key limitations**

Min period	8	seconds
Max period	3	days
Max keys in operation	3	
Max 'B' groups	1	

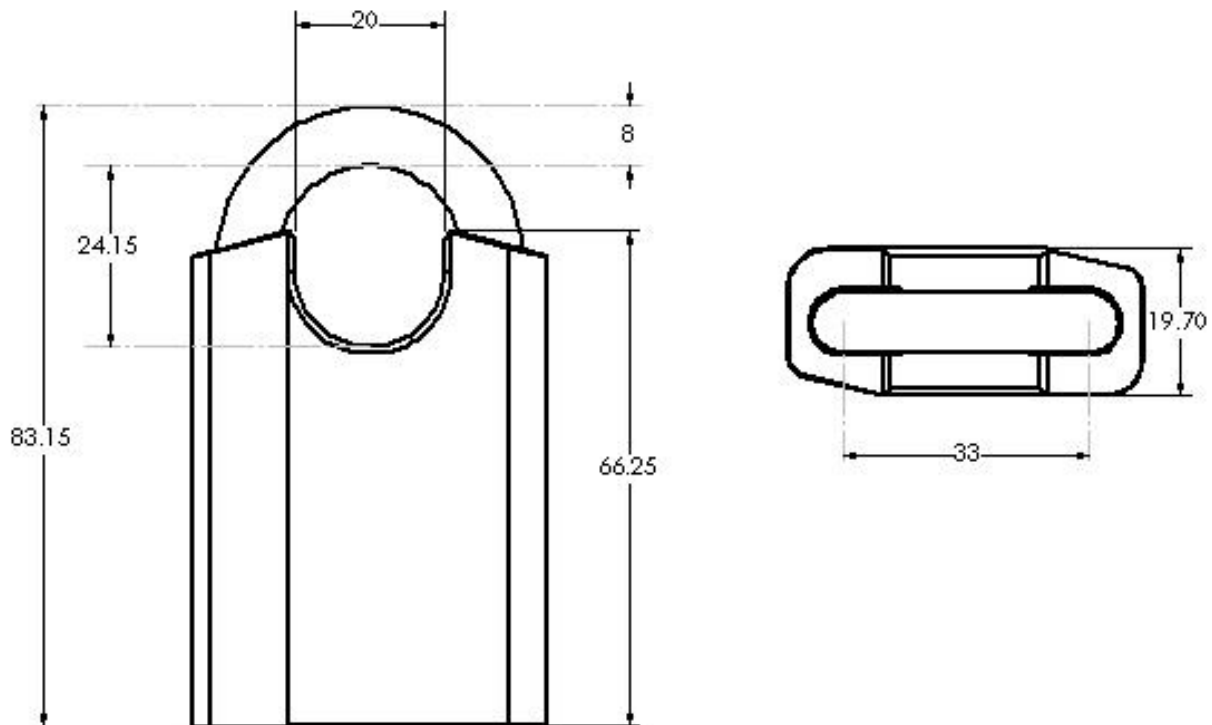


Figure 1: Padlock dimensions (mm)

## Product description

The padlock is designed as a robust lock, designed to withstand various forms of abuse. The shackle is highly resistant to bolt cutters, particularly when supplied in semi-shrouded form. The shackle is locked via two steel ball bearings, and the cam is retained via a positive locking mechanism.

The product is supplied as key retaining, but a non-key retaining version is available

## Terms

*Multi-keying:* Require more than one authorized key be inserted into the padlock within a specified time window before the padlock will open. Supports 'A' and 'B' group requirements (one or more keys from each group is required to open).

*Time windowing:* Restrict access to specified time periods.

*Checkpoint:* Double-purpose lock as a checkpoint incorporated